



RE663 LED Keypad Connect+™ Encrypted



LED Keypad is a table or wall mounted interface that chimes and uses lit keys and an LED light bar to provide visual arming status. The LED Keypad can be battery operated or AC powered for flexible installs.



Features

- Displays real-time status
- Wall or table mount
- AC or battery primary power
- 1 year battery life for battery primary power
- User replaceable AA batteries

Enroll by placing the panel and LED Keypad into wireless enrollment mode. Press the enroll button on the side of the panel to put the panel into wireless enrollment mode. Hold 1 and 3 simultaneously for 3 seconds on the Keypad to put the Keypad into wireless enrollment mode.

Operate using the LED Keypad buttons.

Light bar

- Indicates arming level with color (Disarm - Green, Stay - Cyan, Away - Red, Night - Blue).
- Amber corners indicate trouble condition.
- AC powered operation uses full light bar. Light bar "breathes" if zones are open.
- Battery operation uses light bar corners. Light bar blinks periodically and will double blink periodically if zones are open.

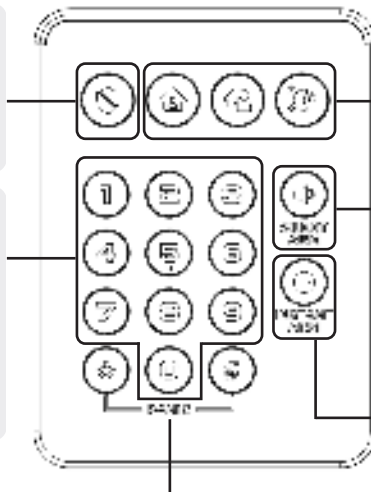
Disarm

- Indicates Disarmed
- Cancel Force Arm
- Silence Trouble beeps (w/code if required*)

0-9/User Code

- Disarm
- Force Arm
- Arm if required*
- Silence Trouble beeps if required*
- Press and hold 1 & 3 for (Un)Enrollment

*Depends on panel settings (Quick Arm, UL, etc.)



Stay/Away/Night

- Change/Indicates Arming Level
- Hold Night for 3 seconds to turn display off

Silent Arm

- Silent Arm or Disarm Modifier
- Press and hold with number to change volume

Instant Arm

- No Entry Delay Modifier
- Press and hold with number to change brightness

Panic Alarm Trigger

Press and hold the * and # buttons for 3 seconds

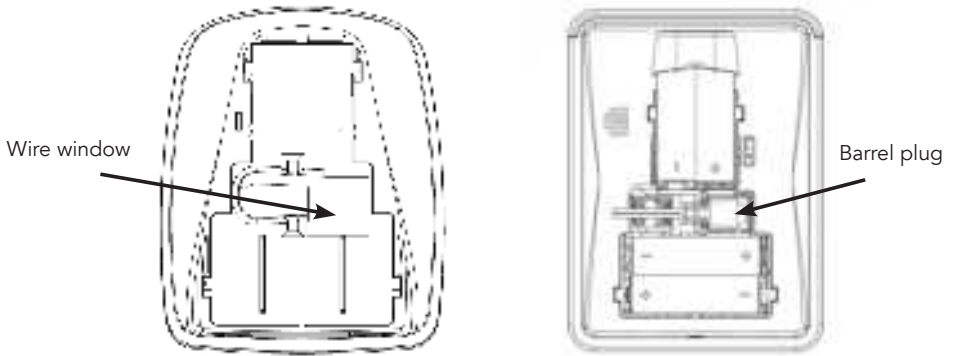
Use the panel installation guide to verify proper system setup.



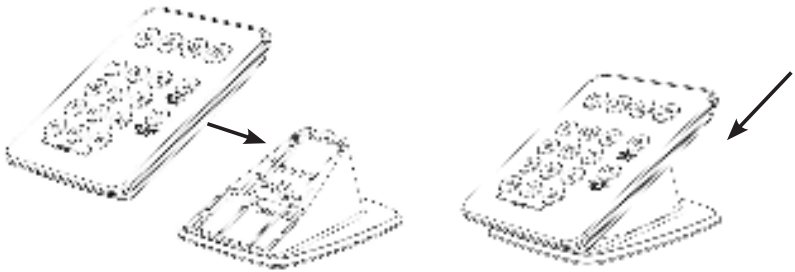
Keypad Mounting Options

Table Top Mounting

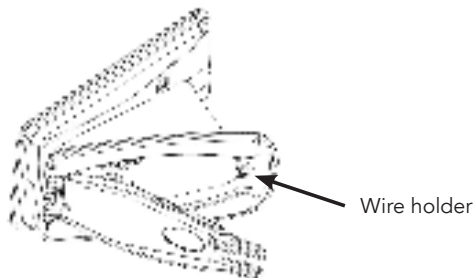
1. **Insert batteries** into Keypad following polarity markings.
2. **Route power cable** through wire window in table stand. Connect the power supply by inserting the barrel plug into the black port. Orient the barrel plug as shown.



3. **Insert the Keypad** into the table stand. Push any extra wire into stand before inserting into stand. Slide the Keypad on stand until it "clicks" into place.



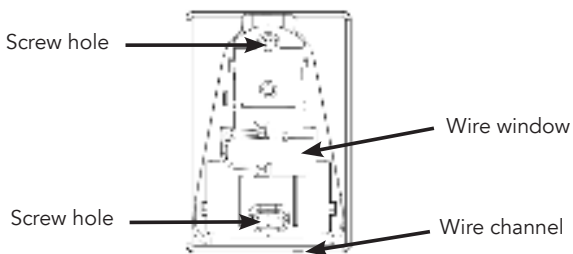
4. **Coil up the excess power wire** into the stand. Insert wire into wire holder and close stand cover to contain excess wires.



5. **Plug in power supply.**

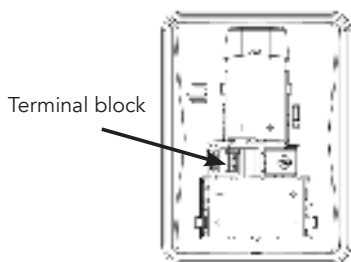
Wall Mounting

1. **Insert batteries** into Keypad following polarity markings.
2. **Fasten to wall** by screwing the screws through the two holes into the wall. Screws should be fastened to a stud, a single gang box, or with wall anchors into drywall. Ensure power supply wires are routed through wire window and seated in wire channel if wire does not run behind drywall.



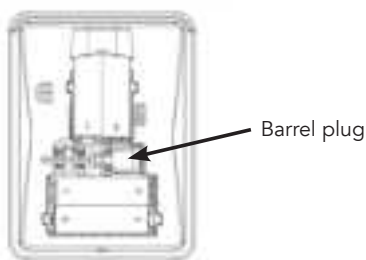
3. **Route power cable** using one of two methods.

A. Wires to Terminal Block: Connect one end of the power supply. Splice the other end of the wires to the provided power supply. Polarity does not matter. **MUST USE PROVIDED POWER SUPPLY.** Wire lengths must not exceed lengths listed below.



WIRE GAUGE	MAXIMUM LENGTH BETWEEN POWER SUPPLY AND KEYPAD
#24	Up to 50 feet
#22	Up to 100 feet
#20	Up to 150 feet
#18	Up to 250 feet
#16	Up to 400 feet

B. Barrel Plug: Connect the power supply by inserting the barrel plug into the black port. Orient the connector as shown.



4. **Insert the Keypad** into the mounting plate. Push any extra wire behind wall plate before inserting into mounting plate. Slide the Keypad on plate until it "clicks" into place.



5. **Plug in power supply.**

Pro Tips

Wire can be hidden by running the wires through a hole behind the wall mounting plate and along the back side of the drywall to a location with an outlet.

Switching to battery primary power can be done by restarting the keypad with the battery power. First, remove wall power supply and batteries. Wait 10 seconds. Then, power the keypad back up with only batteries.

Unenrollment can be done by following the same steps as enrollment.

Force unenroll can be done when no panel is present. Hold the 1 and 3 keys simultaneously to enter unenrollment mode. After the keypad fails to unenroll, hold the 1 and 3 keys simultaneously again to force unenroll.

Specifications

Physical	
Wall Dimensions	3.81 x 5.10 x 1.55 inches (9.68 x 12.94 x 3.94 cm)
Table Top Footprint	3.81 x 5.47 x 3.17 inches (9.68 x 13.89 x 8.05 cm)
Weight	1.49 lb (675 g)
Mounting Fasteners	#6 screws & 2 wall anchors (included)
Pilot Hole for Screw into Wood	Ø 1/8 in (3 mm)
Pilot Hole for Wall Anchor	Ø 3/16 in (4.7 mm)
Environmental	
Operating Temperature	32 to 120°F (0 to 49°C)
Maximum Humidity	85% relative humidity non-condensing
Device Specifications	
Frequency	2.4 GHz
Power Transformer	
Input	100-240VAC, 50/60Hz, 0.5A
Output	12VDC, 1A
Part Number	RE012-6
Replacement Battery	4 AA batteries
Nominal Battery Life	1 year (Battery operation under normal use)
Current Draw	350mA (Maximum)
Transmitted Indications	Low Battery, Supervision, Tamper, AC Fail
Certification	
RE663	FCC, IC

Specifications subject to change without notice.

IC NOTICE

This device complies with Industry Canada license-exempt RSS standard(s). Operation is subject to the following two conditions:

- (1) This device may not cause interference, and
- (2) This device must accept any interference, including interference that may cause undesired operation of the device.

Le présent appareil est conforme aux cnr d'Industrie Canada applicables aux appareils radio exempts de licence. L'exploitation est autorisée aux deux conditions suivantes:

- (1) L'appareil ne doit pas produire de brouillage, et
- (2) L'utilisateur de l'appareil doit accepter tout brouillage radioélectrique subi, même si le brouillage est susceptible d'en compromettre le fonctionnement.

IC: 8310A-RE663

FCC NOTICE

This device complies with Part 15 of the FCC rules. Operation is subject to the following two conditions:

- (1) This device may not cause harmful interference.
- (2) This device must accept any interference that may be received, including interference that may cause undesired operation.

Changes or modifications not expressly approved by Alula could void the user's authority to operate this equipment.

FCC ID: U5X-RE663